

# Power For The New Technology

## PS2342

Total Power	1000 Watts
Input Voltages	90-264 VAC
Outputs	48V

### SPECIAL FEATURES

- Power density > 6W/ cu in.
- 90-264 VAC input with under voltage lockout
- UL, CSA, BABT Recognized, CE CB pending
- Remote on/off control
- Active PFC compliant to EN61000-3-2
- Low profile, fits 2U application
- Third Wire current share
- Hot pluggable
- Fully protected

### ENVIRONMENTAL

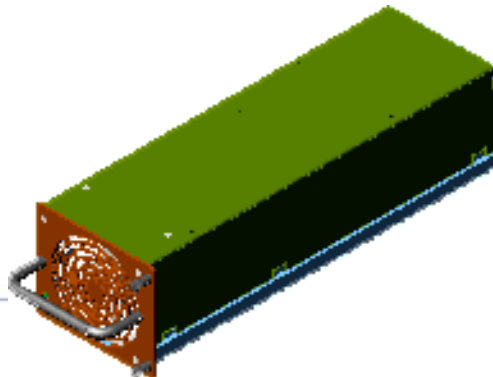
Ambient Operating Temperature : 0 to +50°C, full rating.

Humidity: Up to 95% non-condensing

Temperature coefficient:  $\pm 0.01\%$ / °C

Storage Temperature: -20 to 85°C

Cooling: One 81 CFM fan. Airflow front to back.



### ELECTRICAL SPECIFICATIONS

#### Input

Input.....90 -264 VAC; 47-63Hz;  
Power Factor >0.99

Inrush Current (240 Vac).....80 Amps peak  
Isolation.....4242VDC (Input to Output)

#### Susceptibility specifications:

EN 61000-3-2 AC Input line harmonic limits  
Complies with EN55022 & FCC Class A with minimum 6 dB margin

Efficiency.....> 83% typical at full load

#### Output

DC Output.....Maximum continuous output power  
1000 Watts with internal cooling. See Voltage/Current Rating Chart.

Load Regulation.....<1%  
Ripple and Noise < 350mV typical

Transient Response...2% Maximum deviation;  
Third Wire Current Share.

### MECHANICAL

12.8" L X 3.5" H X 4.3" W (324 mm X 132 mm X 108 mm)

\*May be installed in 19" rack mountable bay

#### Status signals and indicators

PS Present  
DC Power Good  
AC FAIL warning

Visual LED indicators identify power supply status.

The indicators are:

AC/DC Good



## Output

Over and under voltage protection – (Latching)  
 Over current protection (Latching)

Over temperature protection.

Short Circuit Protection.....Will withstand a continuous short without damage.

Minimum Load Rqmt.....0% of full load main output.

No Load Operation.....No damage to supply when operating at no load.

Hold-Up Time.....20 mSec typical

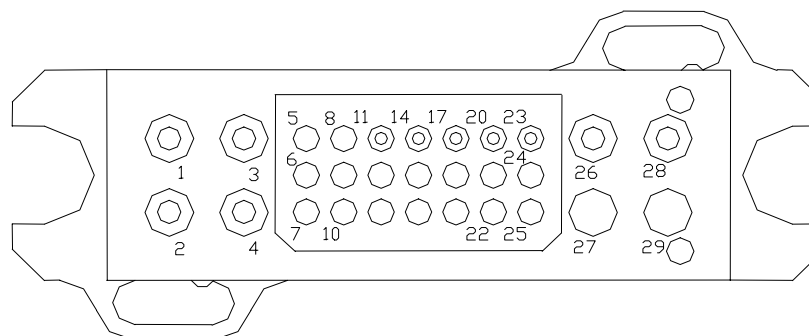
OVP.....58 V typical

## Voltage/Current Rating Chart

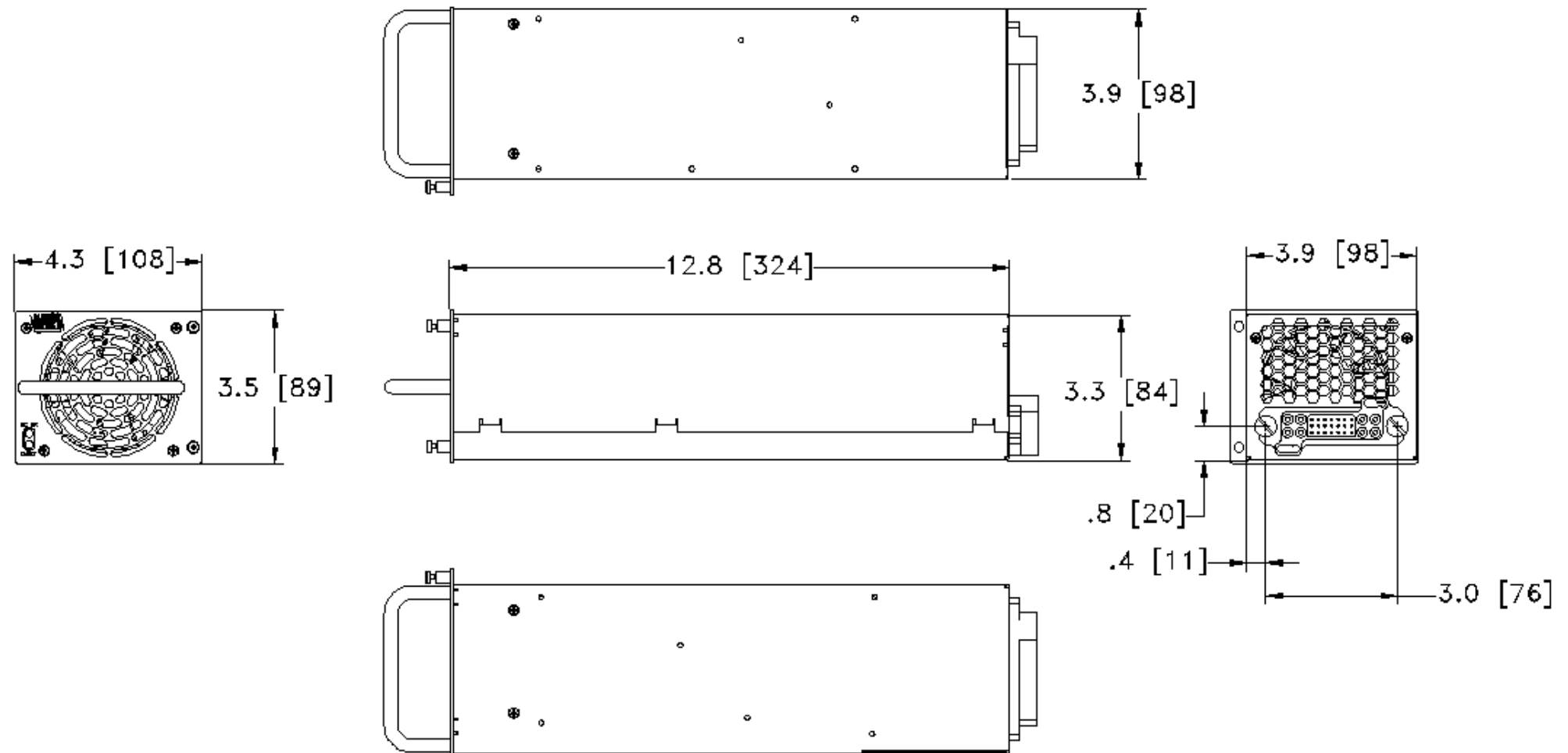
Voltage	48V	48.03V
Current	21A	0A

## PS ELCON CONNECTOR PIN ASSIGNMENT

Description	PIN
Line Ground	1
Line	2
Neutral	4
+48V	26
48V RTN	28
DC OK	23
PS Present	20
Remote ON/ OFF	17
System GND	14
OVP Test	11



# Power For The New Technology



# Power For The New Technology

